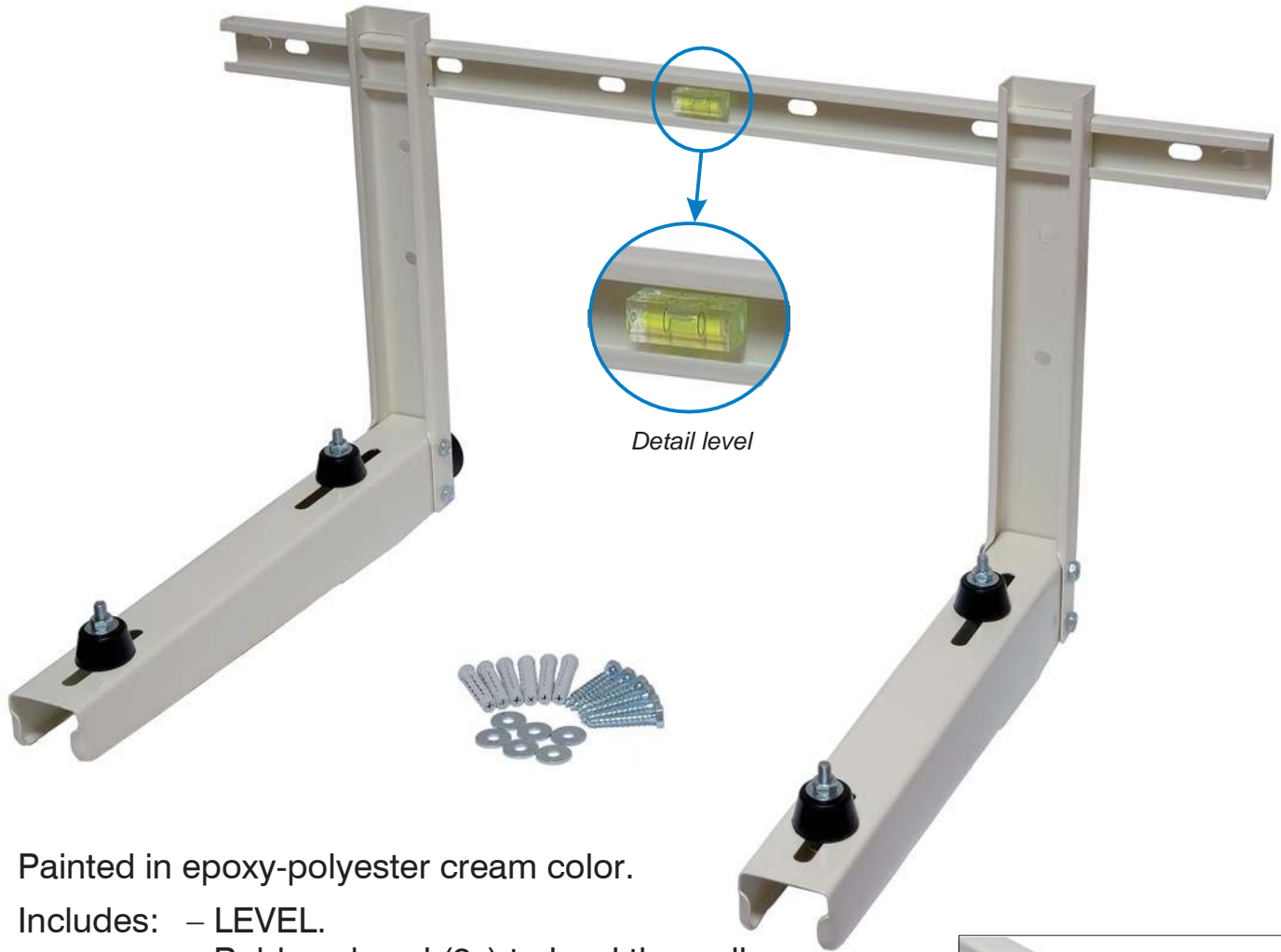


**01 OUTDOOR UNIT BRACKET
ADJUSTABLE WITH WALL TEMPLATE**

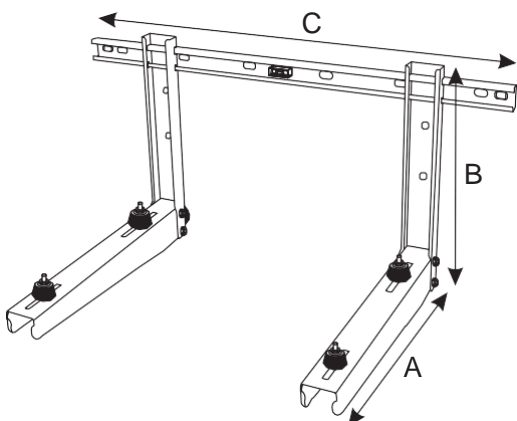


Detail level

- Painted in epoxy-polyester cream color.
- Includes:
 - LEVEL.
 - Rubber dowel (2x) to level the wall.
 - Bag with 4 A35 shock absorbers and fixing screws.
 - Wall template.
 - Bag with 6 Ø10 dowels, 6 screws 8x50 and 6 Ø10 washers for fixation.



Detail



Code	Model	A	B	C
AS 01 125	SMALL	400	400	830
AS 01 126	MEDIUM	450	400	830
AS 01 123	LARGE	500	400	1000
AS 01 127	SUPER	560	400	1000